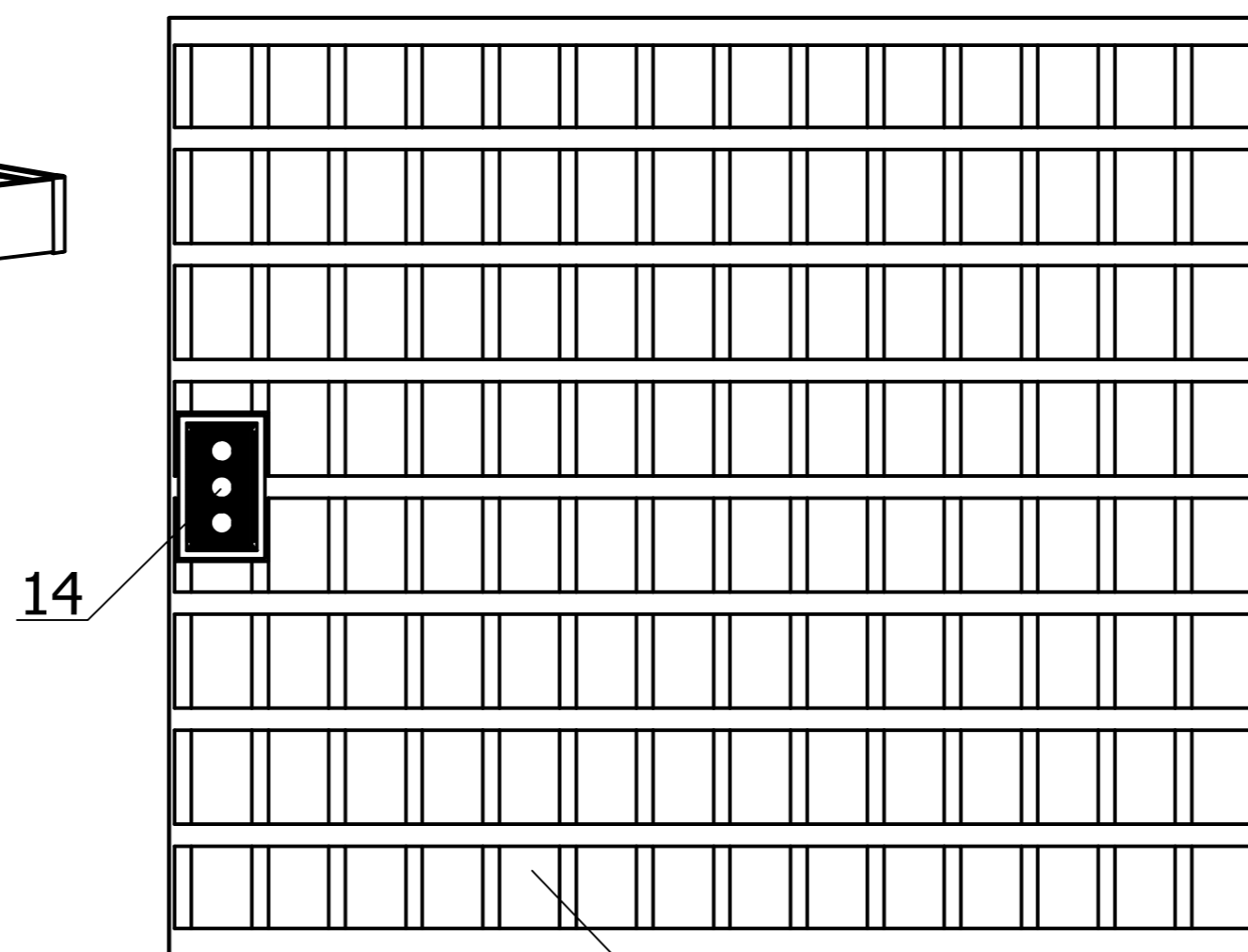
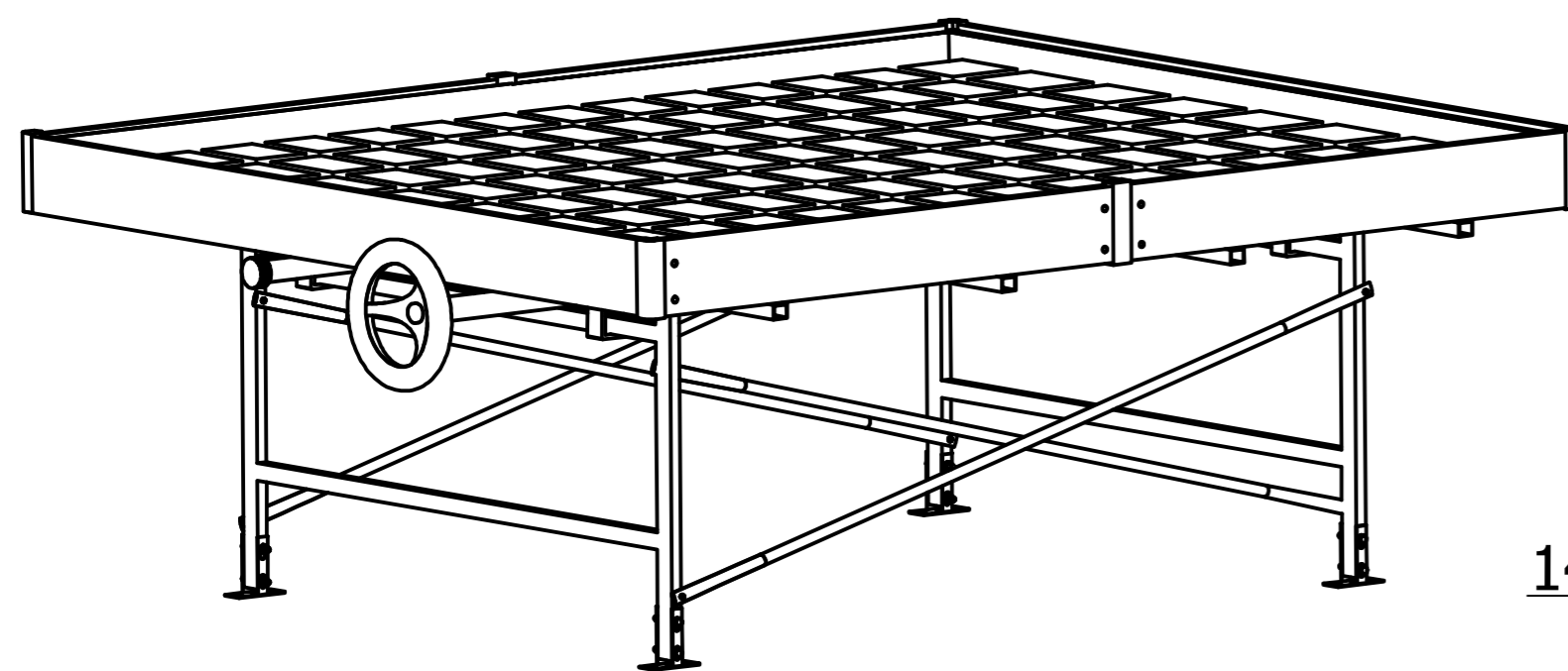



Item No.	Part Name	Material
1	Frame	6063-T5 aluminium profile
2	Clamp	Aluminium alloy + ABS
3	Corner bracket	ABS
4	Waterproof cap	Plastic
5	Middle cross beam	Hot dipped galvanized steel pipe
6	Wheel beam	Hot dipped galvanized steel pipe
7	Diagonal ligament	Hot dipped galvanized steel pipe
8	Feet	Hot dipped galvanized steel plate
9	End braces	Hot dipped galvanized steel pipe
10	Steering wheel	Bakelite
11	Wheel beam cap	Plastic
12	Anti-tip bracket	Nylon
13	Ebb & flow tray	ABS
14	Filter screen	Plastic

TECHNICAL:

1. Moving space: 30 cm -50 cm.
2. Installation condition: concrete/ground.
3. Bench sizes can be customized refer to the greenhouse area and layout.



		Anping Enzar Metal Products Co., Ltd.
SCALE	MATERIAL	TYPE Ebb and flow bench
QUANTITY	SMOOTH	DESCRIPTION Greenhouse bench
PROJ	No.	DRAWING No. CD-G-01
DO NOT MEASURE THE DIMENSIONS.		UNIT: MM

13